

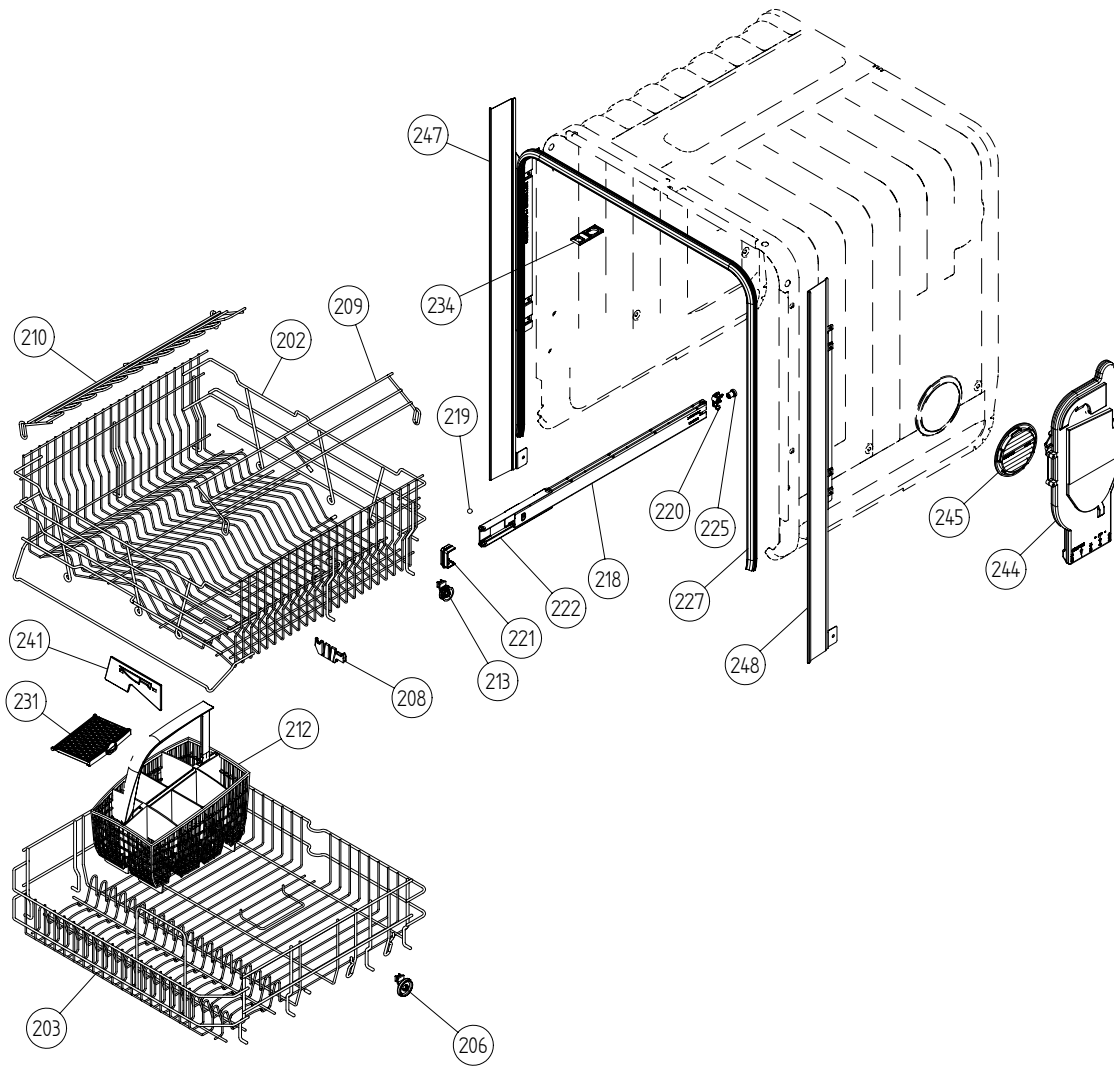
Spare Parts Catalogue

Dishwashers \ 3000 Series
Type: DW20.3US
Model: D3250 US M-Grey FI

Prod. No: 107325031
October 5th 2004

AM Appliances Group

P.O. Box 851805 • Richardson • TX 75085-1805
789 N. Grove Road • Suite 103 • Richardson • TX 75081



Baskets and related parts

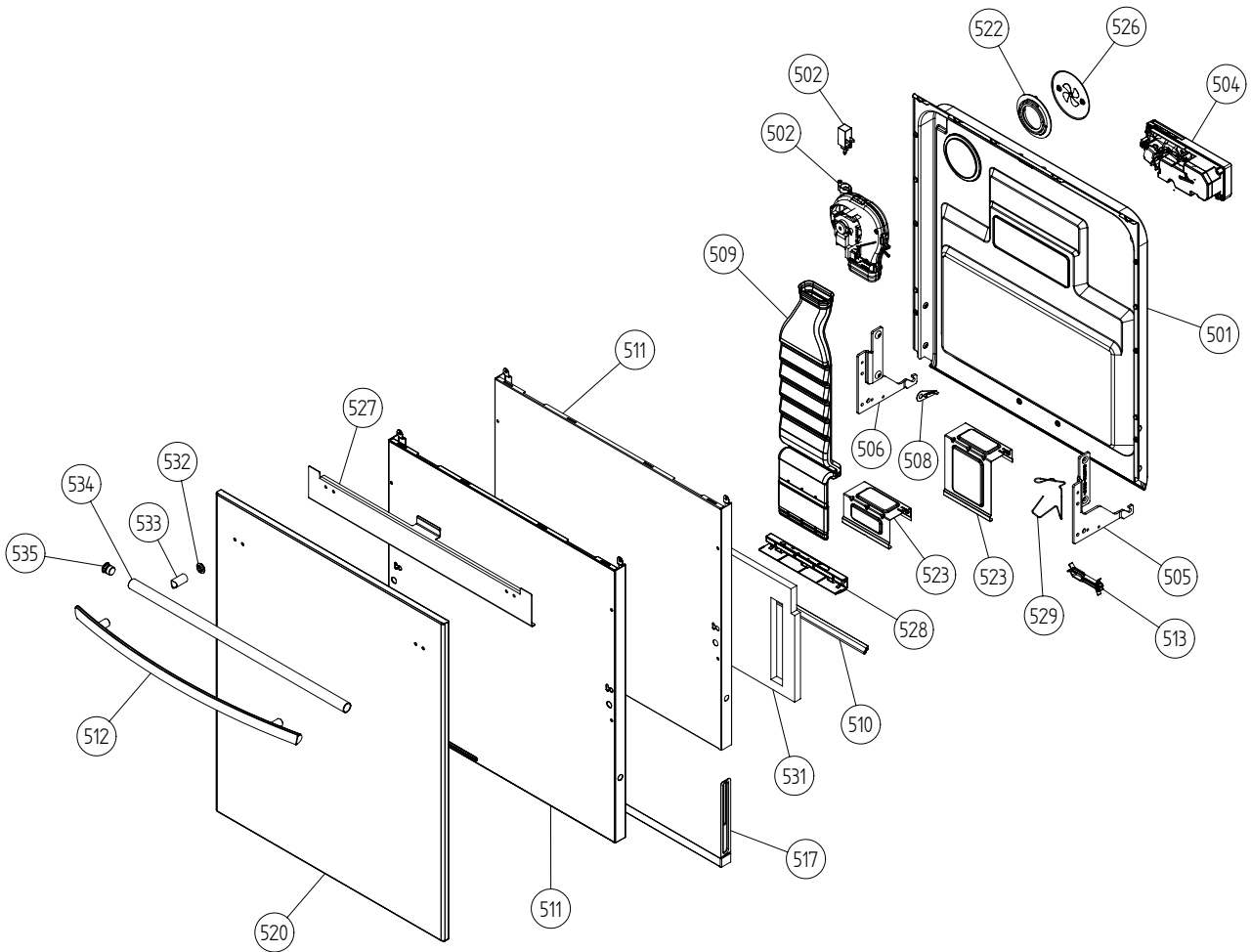
ASKO, D3250 US - M-Grey FI (DW20.3US)

Pos	Spare part No.	Description	Qty	Comment
201	8057056	-	1 Pcs	Not a spare part
202	8801236-36	UPPER BASKET EXCL CPL DGREY	1 Pcs	
203	8801237-36	LOWER BASKET EXCL CPL LGREY	1 Pcs	
206	8009516-77	BASKET WHEEL COMPL GREY	8 Pcs	
208	8071214-77	HOLDERCARVING KNIVES U-BASKET	2 Pcs	
209	8071336-36	CUP SHELF DGREY ADJUSTABLE	1 Pcs	
210	8071337-36	CUP SHELF WINE GLASS MGR ADJ	1 Pcs	
212	8801239-77	CUTLERY BASKET INCL DOOR	1 Pcs	
213	8058498-77	BASKET WHEEL COMPL GREY DW95	4 Pcs	
218	8057052	GUIDE RAIL	2 Pcs	
219	8057977	BALL DIAM 8 DW95	8 Pcs	
220	8057978-77	BALLCATCH GREY COMPL	2 Pcs	
221	8057979-77	BASKET STOP GREY	2 Pcs	
222	8058638-77	BALL DISTANCE RING GUIDE RAIL	2 Pcs	
225	8071247	RUBBER BUFReplby 8057978-77	2 Pcs	
227	8057489	DOOR STRIP UL4	1 Pcs	
230	8071257	EDGE GUARD L=420 MM	1 Pcs	
231	8072986-77	DOOR CUTLERYBASKET UL4	1 Pcs	
234	8070649	LOCK HITCH INTEGR	1 Pcs	
234-a	8070648	LOCK WASHER INTEGR	1 Pcs	Part of 8070469
234-b	8901104	SCREW M4x8 A4 MRT VAXED T20	1 Pcs	
241	8057506-77	KNIFE STOP PLATE GREY DW95	1 Pcs	
242	8074262	SEALING STRIP CASING RIGHT	1 Pcs	
243	8074261	SEALING STRIP CASING LEFT	1 Pcs	
244	8057514	AIRBREAK STD W O-RING UL4	1 Pcs	
244-a	8052189	HOSE CLIP RFZ 170-706R	1 Pcs	
245	8057536-77	LOCKRING AIRBREAK GREY	1 Pcs	

Control panel and related parts

ASKO, D3250 US - M-Grey FI (DW20.3US)

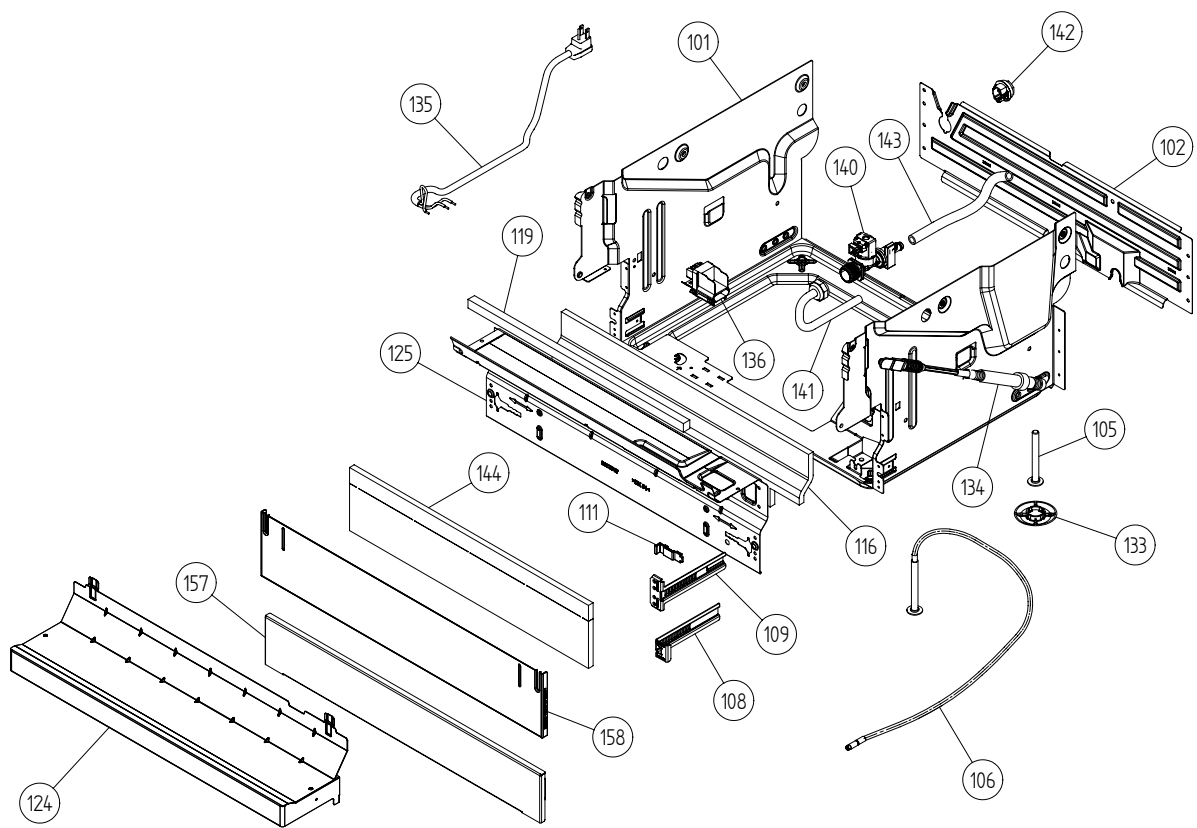
Pos	Spare part No.	Description	Qty	Comment
601	8075767-81-UL	PANEL ASKO 3250(345FI) GRAUL4	1 Pcs	
602	8075303	PROGINFOLABEL ASKO 345T/F US	1 Pcs	
602	8075305	PROGINFOLABEL ASKO 345T/F ES	1 Pcs	
602	8075345	PROGINFOLABEL ASKO 345T/F FR	1 Pcs	
603	8074993	DECOR PLATE ASKO 345T/FI GRAP	1 Pcs	
604	8074277	SPRING MAIN SWITCH	1 Pcs	
607	8801230	CONTROLUNIT COMPL DW203 USA	1 Pcs	
608	8073788	THERMISTOR UL4	1 Pcs	
609	8073782	MAIN PUSH SWITCH	1 Pcs	
611	8073897	CABLESET DIVERTER VALVE	1 Pcs	
614	8073888	CABLE SET CIRCPUMP INLVALVE	1 Pcs	
616	8073887	CABLE SET FLOW & PRESSURE	1 Pcs	
618	8073890	CABLESET POWER	1 Pcs	
620	8073882	CABLE SET DOOR FAN-REED	1 Pcs	
622	8073883	CABLE SET DRAIN	1 Pcs	
629	8075078-81	PUSHBUTTON MAINSWITCH GRAPHIC	1 Pcs	
644	8073670	LOCK COMPLETE INTEGRERAD	1 Pcs	
645	8073666	HANDLE INTEGRATED LOCK	1 Pcs	
645-a	8072439	SCREW MC6S M5x45 88 FZB	2 Pcs	
651	8073836	MICROSWITCH DOOR	0 Pcs	
654	8075719-81	PUSHBUTTONS ASKO 345 T/FI	1 Pcs	
690	8075588	INSTRUCTIONS D3250-345F US ENG	1 Pcs	
690	8075589	INSTRUCTIONS D3250-345F USA FR	1 Pcs	
690	8075590	INSTRUCTIONS D3250-345F USA ES	1 Pcs	



Inner door, panel and related parts

ASKO, D3250 US - M-Grey FI (DW20.3US)

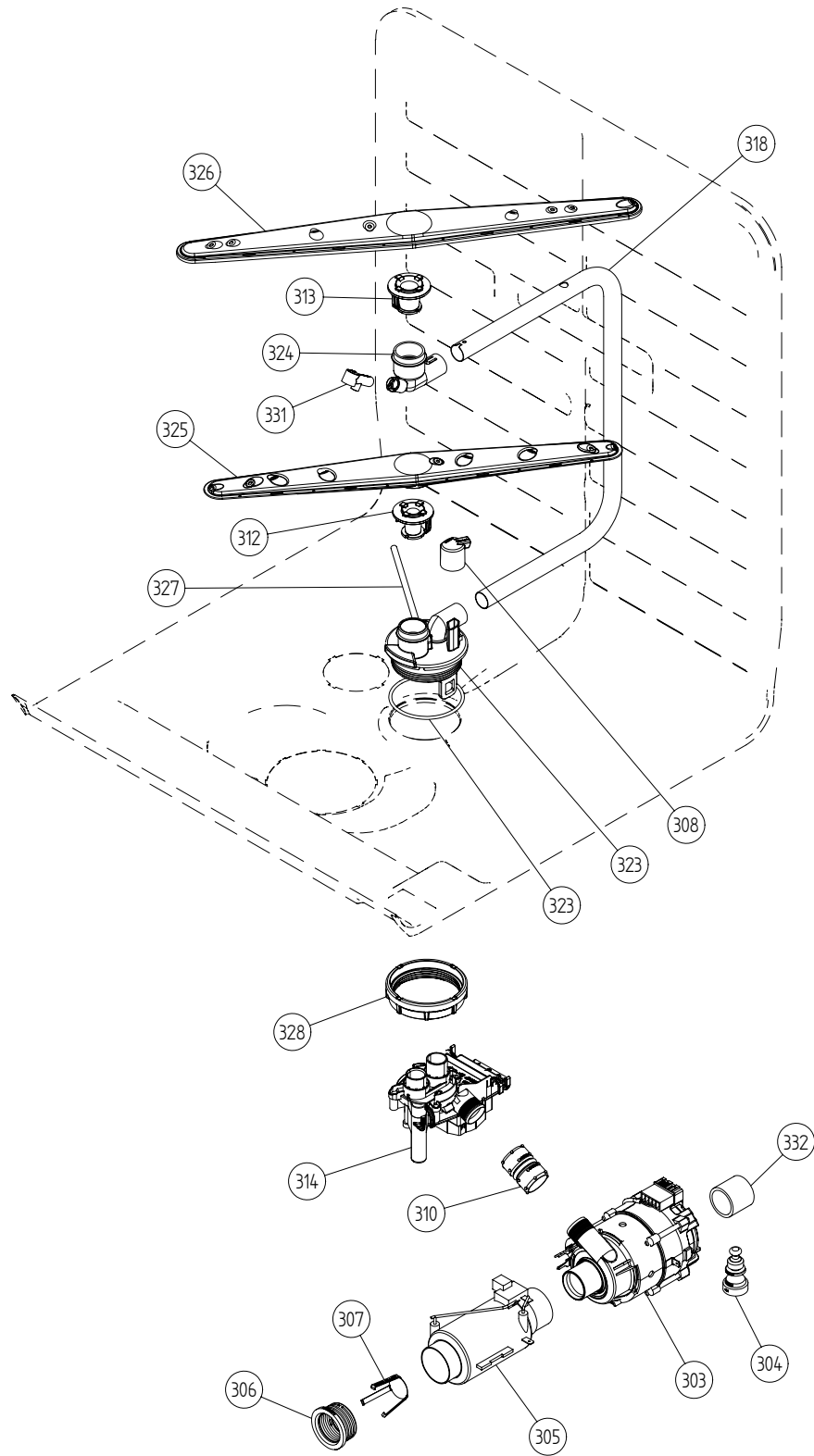
Pos	Spare part No.	Description	Qty	Comment
501	8801246	DOOR INNER WINSUL INT FAN	1 Pcs	
501-a	8900646	SCREW A4 RTS 42X13 T20 SORT	6 Pcs	
501-b	8902121	SCREW A2-MKFT 5X10	4 Pcs	
502	8073851	FAN COMPL 120V	1 Pcs	
502-a	8058501	O-RING 83X3 NBR 70 UL4	1 Pcs	
502-b	8052778	WAXMOTOR 10033214	1 Pcs	
504	8073803	COMBIDISP REED REAY 120V UL4	1 Pcs	
504-a	8071916	SEALDETCOMPLID	1 Pcs	
504-b	8071917	CAP RINSE AGENT	1 Pcs	
504-c	8071918	LIDINCLSEAL AND SPRING	1 Pcs	
504-d	8072288	SEALING STRIP COMBIDISP	1 Pcs	
504-e	8075778	BRACKET COMBI DISPENSER	2 Pcs	
504-f	8902087	SCREW PTK 40X14 WN1452 FZB T20	6 Pcs	
505	8057524	HINGE RIGHT PAINTED DW95	1 Pcs	
505-a	8057530	HINGE SCREW DW95	1 Pcs	
505-b	33500262	NUT M4 (LOC-KING) 4 DIN 985	1 Pcs	
506	8057525	HINGE LEFT PAINTED DW95	1 Pcs	
506-a	8057530	HINGE SCREW DW95	1 Pcs	
506-b	33500262	NUT M4 (LOC-KING) 4 DIN 985	1 Pcs	
507	8057530	HINGE SCREW DW95	2 Pcs	
507-a	33500262	NUT M4 (LOC-KING) 4 DIN 985	2 Pcs	
508	8057948	SLIDE WASHER HINGE BEARINGDW95	2 Pcs	
509	8057963-P	AIR CANNEL ADJUSTABLE DOOR	1 Pcs	
510	8057949	DOOR SEAL Replby 8060254	1 Pcs	
510	8060254	DOOR SEAL LOWER CUTTING 555	1 Pcs	
511	8074801-PT-81	DOOR OUTER INT ADJUST GREY	1 Pcs	
511-a	8900646	SCREW A4 RTS 42X13 T20 SORT	6 Pcs	
513	8074015	CABLE BRACKET DOOR	1 Pcs	
517	8074012-81	ADJUSTABLE FRAME AIR CHANNEL	1 Pcs	
517-a	8902133	SCREW MRT-GF M5x8 COMB T25 FZB	2 Pcs	
522	8057964	LOCK RING FAN CASING UL4	1 Pcs	
522-a	8902085	SCREW PT KB40X10 WN1442 RFS	2 Pcs	
523	8057985	BRACE USA DW95	1 Pcs	
523-a	8900646	SCREW A4 RTS 42X13 T20 SORT	2 Pcs	
523-b	8902357	SCREW RTS 42X13 FZB T20 SORT	2 Pcs	
526	8058484	COVER PLATE FAN WITH SYMBOL	1 Pcs	
526-a	8902085	SCREW PT KB40X10 WN1442 RFS	2 Pcs	
528	8072732-33	NOZZLE AIR DUCT INT COMPL /2	1 Pcs	
529	8073612	BRACKET FOR HARNESS	1 Pcs	
531	8074258	SOUND ABSORBTION OUTERDOOR	1 Pcs	



Base and related parts

ASKO, D3250 US - M-Grey FI (DW20.3US)

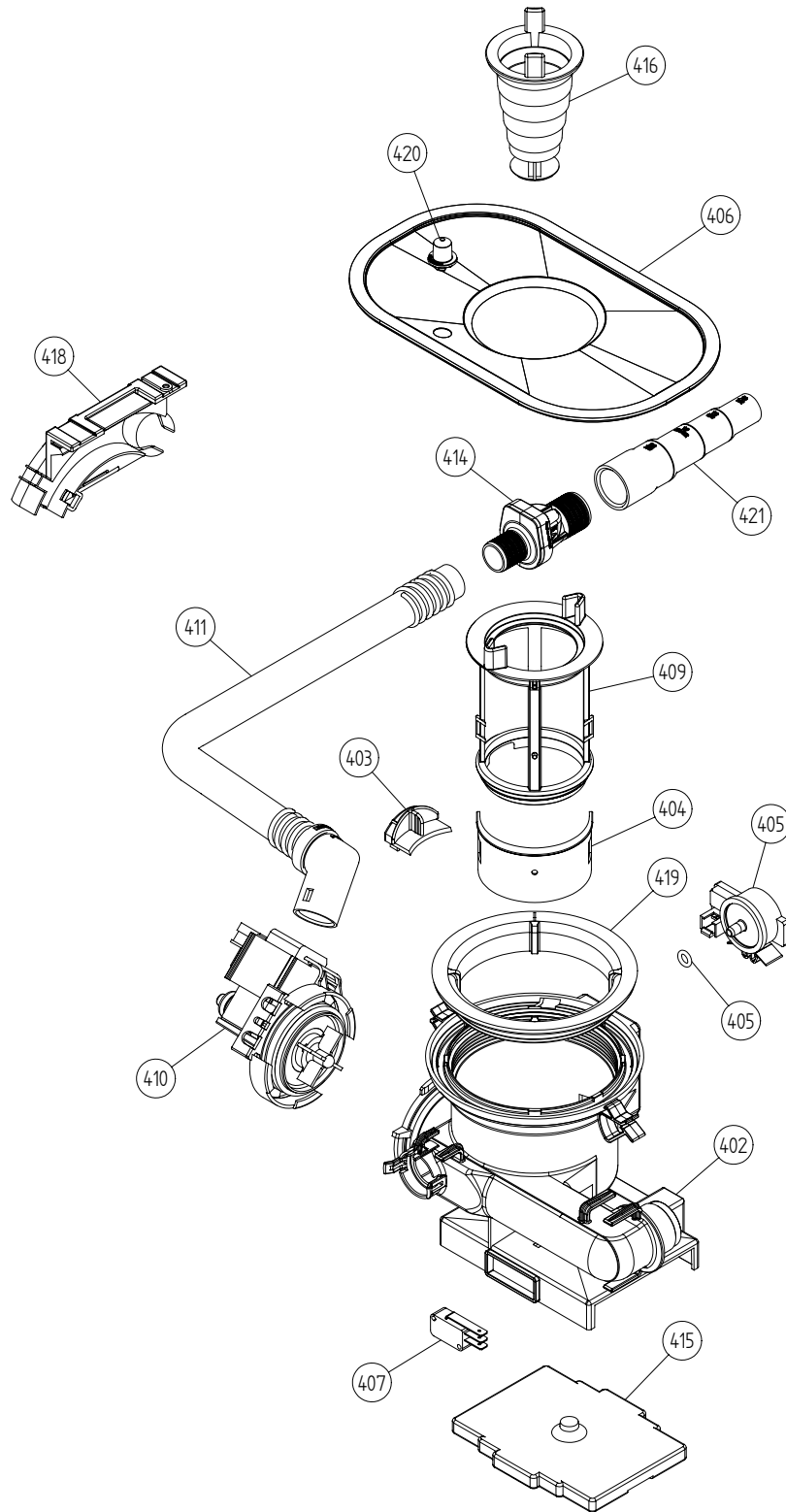
Pos	Spare part No.	Description	Qty	Comment
101	8074450	BOTTEM OUTER DW20	1 Pcs	
101-a	8901104	SCREW M4x8 A4 MRT VAXED T20	2 Pcs	
101-b	8901110	SCREW O-RING A2-M6X12 T30	4 Pcs	
102	8073880	REAR PANEL	1 Pcs	
102-a	8902357	SCREW RTS 42X13 FZB T20 SORT	5 Pcs	
105	8074877	FOOT M10x95 T30 88 FZB	2 Pcs	
106	8073647	FOOT ADJUSTABLE FROM FRONT CPL	1 Pcs	
108	8073480	BRACKET KICKING PLATE	2 Pcs	
111	8073481-49	SPRING KICKING PLATE L-GREY	2 Pcs	
116	8058353	SOUND ABSORBENT GUARD PLATE	1 Pcs	
119	8074260	SOUND ABSORBTION PROFILE	1 Pcs	
125	8073707	GUARD PLATE	1 Pcs	
125-a	8902357	SCREW RTS 42X13 FZB T20 SORT	4 Pcs	
133	8051957	SLIDE FOOT DM-14	3 Pcs	
134	8071323-77	DOOR SPRING FINIT 75 KG RED	2 Pcs	
135	8073774	CORD SET AMERICA	1 Pcs	
136	8073781	FILTER WITH SCREWPLINT	1 Pcs	
136-a	8902131	SCREW MRT-TT 4X6 FZB T20	1 Pcs	
140	8073825	INLVALVE SINGLE 120V SENS UL4	1 Pcs	
140-a	8052189	HOSE CLIP RFZ 170-706R	1 Pcs	
141	8073879	CONNECTIONS PIPE 3/8-3/4	1 Pcs	
142	8006948	GROMMET Z13	1 Pcs	
143	8074230	RUBBER HOSE 10X15X225	1 Pcs	
143-a	8052189	HOSE CLIP RFZ 170-706R	2 Pcs	
154	33055088	RUBBER HOSE 10X15 UL4	1 Pcs	
154-a	8052189	HOSE CLIP RFZ 170-706R	2 Pcs	
157	8073566-81	KICKING PLATE LOW GREY METAL	1 Pcs	



Wash system

ASKO, D3250 US - M-Grey FI (DW20.3US)

Pos	Spare part No.	Description	Qty	Comment
301	8072108	-	1 Pcs	Not to be ordered
303	8073813	CIRCPUMP 120V 60HZ UL4	1 Pcs	
304	8075130	RUBBER DAMPER CIRCPUMP UL4	1 Pcs	
305	8073785	HEATINGELEMENT 1200W 120V	1 Pcs	
306	8073702	ELEMENT TRANSMUTATION UL4	2 Pcs	
307	8075070	INSERT FOR HEATER	1 Pcs	
308	8073385-77	CUP DRAINAGE GREY	1 Pcs	
310	8072888	HOSE CIRKPUMP UL4	1 Pcs	
310-a	8056491	HOSE CLIP 301-708	2 Pcs	
312	8072728-77	SPRAY ARM BEARING L GREY UL4	1 Pcs	
313	8072731-77	SPRAYARM BEARING UPPER UL4	1 Pcs	
314	8073822	WATER DIV VALVE 120V 60HZ UL4	1 Pcs	
314-a	8073003	O-RING 200X375 NRB70 UL4	2 Pcs	
318	8073387	SPRAY PIPE Ø18	1 Pcs	
323	8071606-L-77	SPRAYTOWER L SPRAY NOZZLE UL4	1 Pcs	
323-a	8901765	O-RING 695X3 UL4	1 Pcs	
324	8072730-L-77	SPRAYTOWER U SPRAY NOZZLE UL4	1 Pcs	
325	8072891	SPRAYARM LOWER COMPLETE	1 Pcs	
326	8072894	SPRAYARM UPPER COMPLETE	1 Pcs	
327	8073381	TUBE POTRINSE 6x160	1 Pcs	
327-a	8902085	SCREW PT KB40X10 WN1442 RFS	2 Pcs	
328	8071607	LOCKRING SPRAYPIPE BEARING UL4	1 Pcs	
331	8072543-77	SPRAY NOZZLE UL4	2 Pcs	For part no 8073381 and 8072730-L-77
332	8075420	HOSE 268X328X295	1 Pcs	
332-a	8052189	HOSE CLIP RFZ 170-706R	2 Pcs	



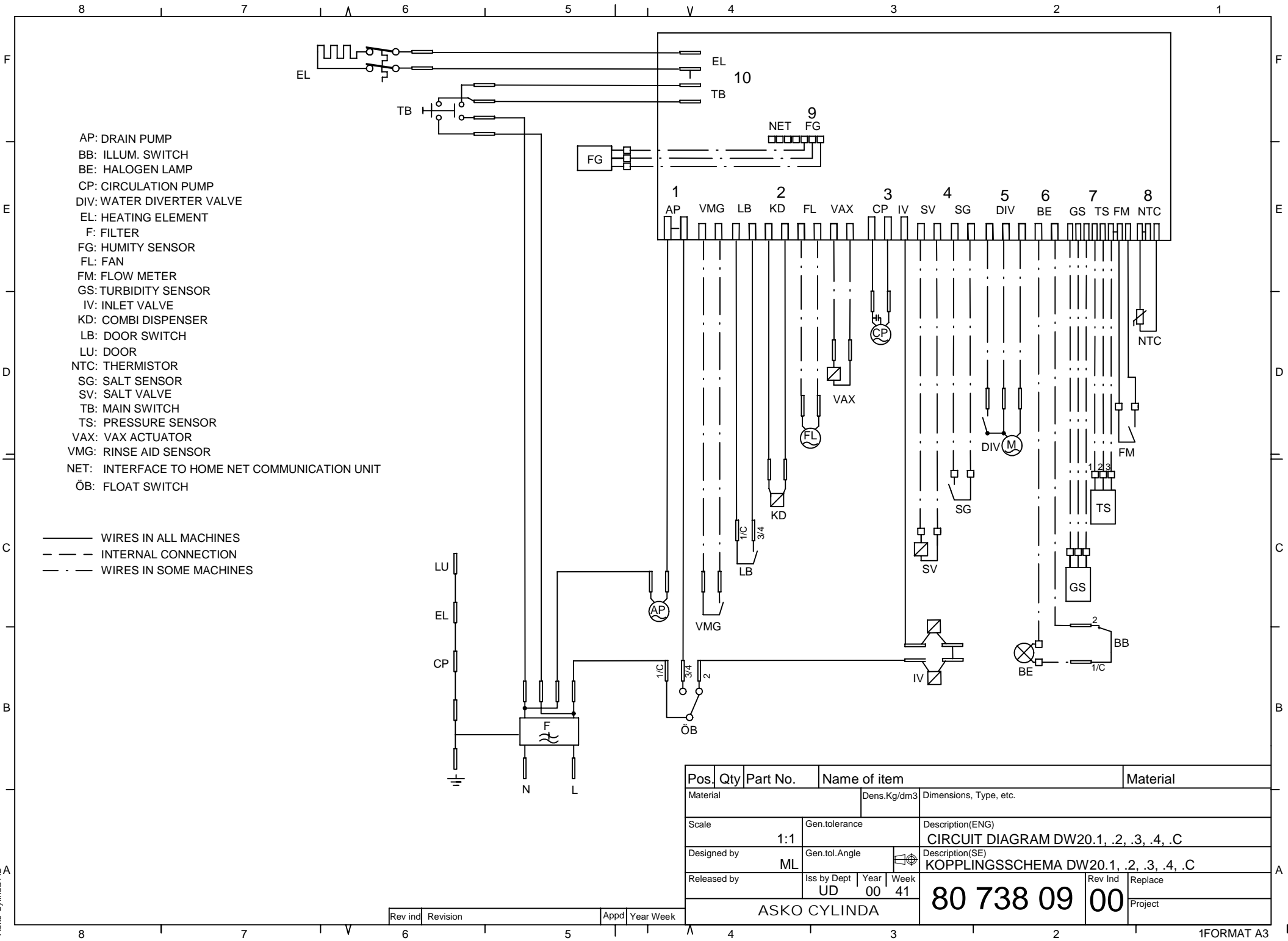
Bottom well and related parts

ASKO, D3250 US - M-Grey FI (DW20.3US)

Pos	Spare part No.	Description	Qty	Comment
402	8073691-77	BOTTOM WELL PRESSURE SENS UL4	1 Pcs	
402-a	8073002	O-RING 109x4 NBR70 UL4	1 Pcs	
403	8057487-79	COVER PLATE BOTTOM WELL YELLOW	1 Pcs	
404	8058454	COVER PLATE INLET DW95	1 Pcs	
405	8073839	PRESSURE SENSOR UL4	1 Pcs	
405-a	8074040	O-RING 63X24 NBR70 UL4	1 Pcs	
406	8074364	STRAINER DW20	1 Pcs	
406	8074252	Use 8074364	1 Pcs	
407	8073835	MICROSWITCH FLOAT	1 Pcs	
409	8073396-77	INSERT STRAINER BASKET	1 Pcs	
410	8073818	DRAIN PUMP 120V 60HZ UL4	1 Pcs	
410-a	8002584	O-RING 495X30 NBR70 UL1	1 Pcs	
411	8074030	OUTLET HOSE 25 M UL4	1 Pcs	
411-a	8052239	HOSE CLIP RFZ 285-316-706R	1 Pcs	
411-b	8052430	CABLE STRIP PLT3S -M (291X48)	1 Pcs	
414	8073403	NON RETURN VALVE	1 Pcs	
414-a	8052239	HOSE CLIP RFZ 285-316-706R	1 Pcs	
414-b	8053642	HOSE CLIP 271-708	1 Pcs	
415	8075110	FLOAT	1 Pcs	
416	8057972-77	STRAINER BASKET GREY	1 Pcs	
418	8072528-77	HOLDER OUTLETHOSE	1 Pcs	
418-a	8053642	HOSE CLIP 271-708	1 Pcs	
418-b	8052239	HOSE CLIP RFZ 285-316-706R	1 Pcs	
418-c	33700450	CABLE STRIP T 30 R	1 Pcs	
418-d	8902072	SCREW PT KB40X10 WN1442 GALV	1 Pcs	
419	8072848	LOCKRING BOTTOM WELL UL4	1 Pcs	
420	8074760-77	VENTILATOR UL4	1 Pcs	
421	8075321	END CUFF USA UL4	1 Pcs	

This document must not be copied without our written permission, and the contents thereof must not be imparted to a third party nor be used for any unauthorized purpose. ASKO CYLINDA AB

S:\UDw2011_Tryckunderlag\Kopplingschema\8073809 Circuit diagram DW20.4_c.dft , mail , 2002-06-18 08:34:08



Pos.	Qty	Part No.	Name of item	Material
Material		Dens.Kg/dm ³	Dimensions, Type, etc.	
Scale		1:1	Description(ENG) CIRCUIT DIAGRAM DW20.1, .2, .3, .4, .C	
Designed by		ML	Description(SE) KOPPLINGSSCHEMA DW20.1, .2, .3, .4, .C	
Released by		UD	Iss by Dept Year Week 00 41	Rev Ind Replace 00
ASKO CYLINDA			80 738 09	00
				Project

Rev ind	Revision	Appd	Year	Week